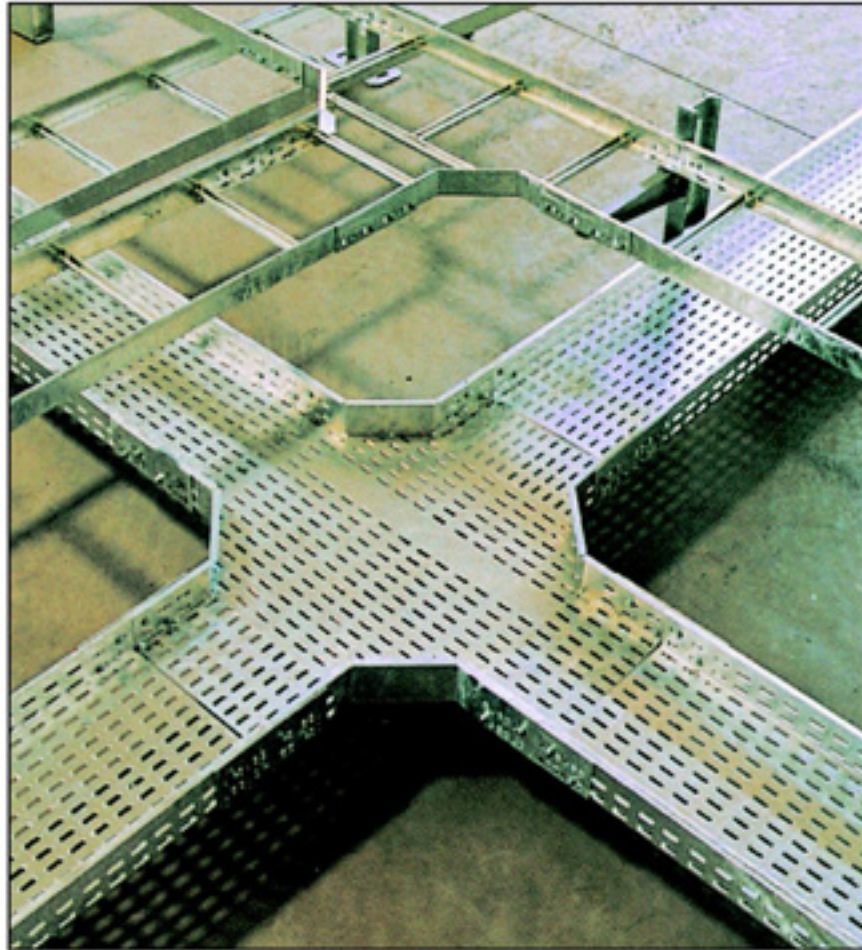




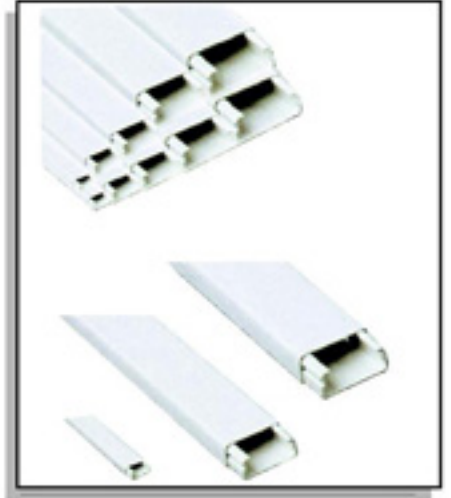
## Ürünler / *Products*

### Kablo Kanalı ve Aksesuarları *Cable Trays And Accessories*



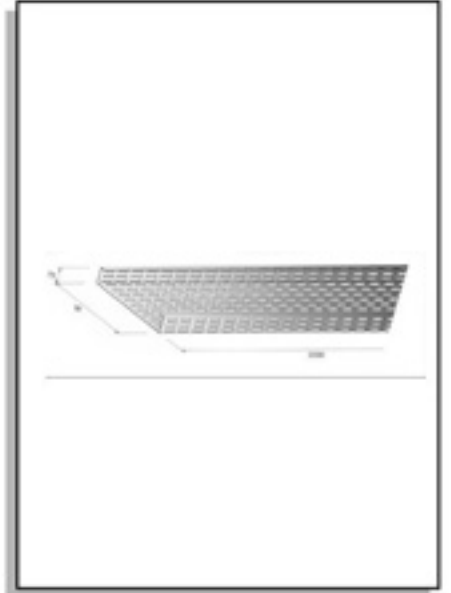
## Plastik Kablo Kanalı / Plastic Cable Tray

Ref No	Malzeme Material	Boyutlar Dimensions mm	Ağırlık Weight kg
AE 61005	Plastik Plastic	16x16	0.105
AE 61007		25x16	0.175
AE 61009		25x25	0.200
AE 61011		40x20	0.275
AE 61013		40x40	0.300
AE 61015		40x60	0.352
AE 61017		60x40	0.475
AE 61019		80x60	0.552
AE 61021		100x40	0.600
AE 61023		100x60	0.850
AE 61025		50x16	1.050
AE 61027		70x20	1.250



## Kablo Kanalı / Cable Tray

Ref No	Malzeme Material	e mm	Boyutlar Dimensions mm	Ağırlık Weight kg
AE 62005	Galvaniz Çelik Galvanized Steel	1	250 x 5 x 4	0.900
AE 62007		1.5	250 x 5 x 4	1.345
AE 62009		1	250 x 7 x 4	1.025
AE 62011		1.5	250 x 7 x 4	1.530
AE 62013		1	250 x 10 x 4	1.210
AE 62015		1.5	250 x 10 x 4	1.810
AE 62017		1	250 x 12 x 4	1.340
AE 62019		1.5	250 x 12 x 4	1.995
AE 62021		1.5	250 x 16 x 4	2.360
AE 62023		1.5	250 x 20 x 4	2.740
AE 62025		1.5	250 x 26 x 4	3.350
AE 62027		1.5	250 x 30 x 4	3.715
AE 62029		2	250 x 30 x 4	4.940
AE 62031		2	250 x 40 x 4	6.175
AE 62033		2	250 x 50 x 4	7.500
AE 62035		2.5	250 x 60 x 4	8.950



## Ağır Hizmet Tipi Kablo Kanalı / Heavy Duty Type Cable Tray

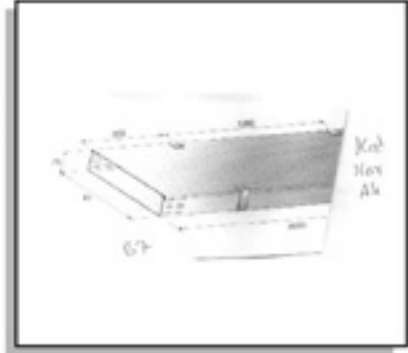
Ref No	Malzeme Material	e mm	Boyutlar Dimensions mm	Ağırlık Weight kg
AE 62105	Galvaniz Çelik Galvanized Steel	1	250 x 7 x 6	1.505
AE 62107		1.5	250 x 7 x 6	2.245
AE 62109		1	250 x 10 x 6	1.695
AE 62111		1.5	250 x 10 x 6	2.525
AE 62113		1	250 x 12 x 6	1.820
AE 62115		1.5	250 x 12 x 6	2.710
AE 62117		1	250 x 16 x 4	3.085
AE 62119		1.5	250 x 20 x 6	3.450
AE 62121		1.5	250 x 26 x 6	4.060
AE 62123		1.5	250 x 30 x 6	4.435
AE 62125		2	250 x 30 x 6	5.890
AE 62127		2	250 x 40 x 6	7.125
AE 62129		2	250 x 50 x 4	8.455
AE 62131		2	250 x 60 x 4	9.900





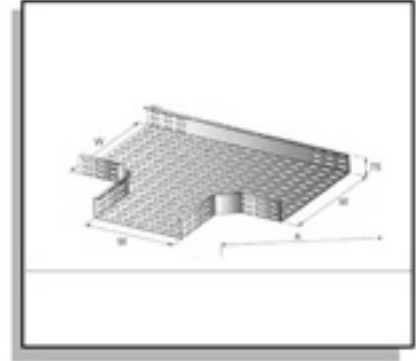
## Kapaklı Kablo Kanalı / Duct Type Cable Tray

Ref No	Malzeme Material	e mm	Boyutlar Dimensions (ABC-H) cm	Ağırlık Weight kg
AE 62305	Galvaniz Çelik Galvanized Steel	1	250 x 4.5 x 3	1.366
AE 62307		1	250 x 5 x 4	1.640
AE 62309		1	250 x 7 x 4	1.850
AE 62311		1	250 x 10 x 6	2.570
AE 62313		1.5	250 x 12 x 6	2.860
AE 62315		1.5	250 x 16 x 6	3.400
AE 62317		1.5	250 x 20 x 6	3.970



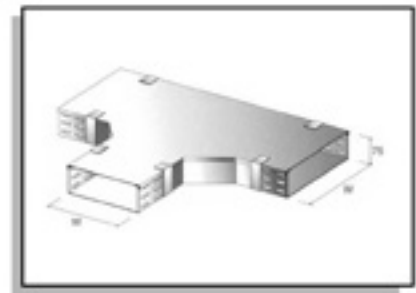
## T Bağlantı Elemanı / Horizontal Tees

Ref No	Malzeme Material	e mm	Boyutlar Dimensions (ABC-H) cm	Ağırlık Weight kg
AE 63005	Galvaniz Çelik Galvanized Steel	1.5	55 x 4	0.825
AE 63007		1.5	75 x 4	0.900
AE 63009		1.5	105 x 4	1.045
AE 63011		1.5	125 x 4	1.175
AE 63013		1.5	165 x 4	1.380
AE 63015		1.5	205 x 4	1.655
AE 63017		1.5	265 x 4	2.140
AE 63019		2	305 x 4	3.330
AE 63021		2	405 x 4	4.780
AE 63023		2	505 x 4	6.550
AE 63025		2	605 x 4	8.630



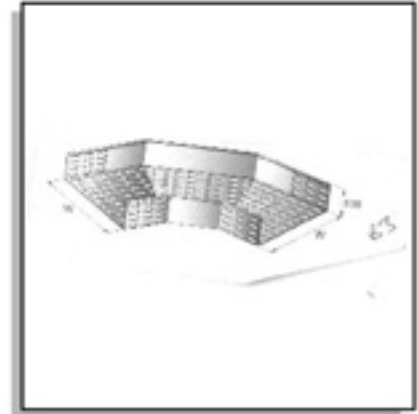
## T Bağlantı Elemanı Kapaklı Tip / Duct Type Horizontal Tees

Ref No	Malzeme Material	e mm	Boyutlar Dimensions (ABC-H) cm	Ağırlık Weight kg
A 63105	Galvaniz Çelik Galvanized Steel	1	45 x 3	0.750
A 63107		1	55 x 4.5	0.840
A 63109		1	75 x 4.5	0.980
A 63111		1	105 x 6	1.270
A 63113		1.5	125 x 6	1.430
A 63115		1.5	165 x 6	1.810
A 63117		1.5	205 x 6	2.230



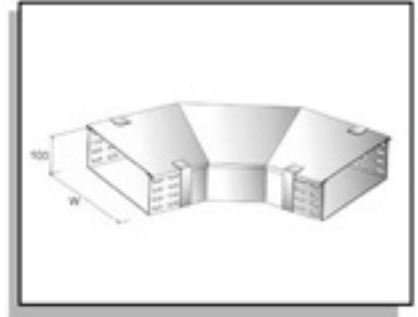
## 90°Yatay Dönüşler / Horizontal Elbows

Ref No	Malzeme Material	e mm	Boyutlar Dimensions (ABC-H) cm		Ağırlık Weight kg
AE 63405	Galvaniz Çelik Galvanized Steel	1.5	55	x 4	0.605
AE 63407		1.5	75	x 4	0.690
AE 63409		1.5	105	x 4	0.830
AE 63411		1.5	125	x 4	0.935
AE 63413		1.5	165	x 4	1.180
AE 63415		1.5	205	x 4	1.455
AE 63417		1.5	265	x 4	1.945
AE 63419		2	305	x 4	3.085
AE 63421		2	405	x 4	3.545
AE 63423		2	505	x 4	6.330
AE 63425	2	605	x 4	8.430	



## 90°Yatay Dönüşler-Kapaklı Tip / Duct Type Horizontal Elbows

Ref No	Malzeme Material	e mm	Boyutlar Dimensions (ABC-H) cm		Ağırlık Weight kg
AE 63505	Galvaniz Çelik Galvanized Steel	1	45	x 3	0.550
AE 63507		1	55	x 4.5	0.585
AE 63509		1	75	x 4.5	0.700
AE 63511		1	105	x 6	1.110
AE 63513		1.5	125	x 6	1.130
AE 63515		1.5	165	x 6	1.480
AE 63517		1.5	205	x 6	1.880



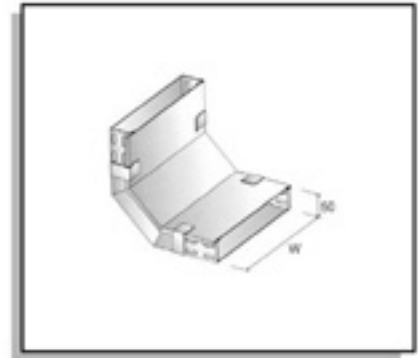
## İç Büküm / Inside Elbows

Ref No	Malzeme Material	e mm	Boyutlar Dimensions (ABC-H) cm		Ağırlık Weight kg
AE 63705	Galvaniz Çelik Galvanized Steel	1.5	55	x 4	1.465
AE 63707		1.5	75	x 4	0.605
AE 63709		1.5	105	x 4	0.725
AE 63711		1.5	125	x 4	0.790
AE 63713		1.5	165	x 4	0.925
AE 63715		1.5	205	x 4	1.060
AE 63717		1.5	265	x 4	1.310
AE 63719		2	305	x 4	1.440
AE 63721		2	405	x 4	2.380
AE 63723		2	505	x 4	2.900
AE 63725	2	605	x 4	3.570	



## İç Büküm-Kapaklı Tip / Duct Type Inside Elbows

Ref No	Malzeme Material	e mm	Boyutlar Dimensions (ABC-H) cm		Ağırlık Weight kg
AE 63805	Galvaniz Çelik Galvanized Steel	1	45	x 3	0.760
AE 63807		1	55	x 4.5	0.810
AE 63809		1	75	x 4.5	0.930
AE 63811		1	105	x 6	1.270
AE 63813		1.5	125	x 6	1.410
AE 63815		1.5	165	x 6	2.000
AE 63817		1.5	205	x 6	2.000







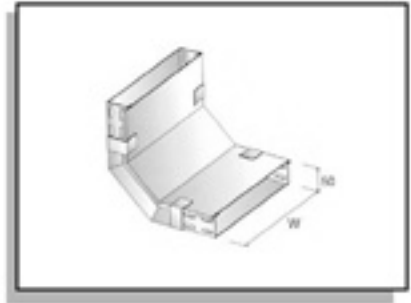
### Dış Büküm / Outside Elbows

Ref No	Malzeme Material	e mm	Boyutlar Dimensions (ABC-H) cm		Ağırlık Weight kg
AE 64005	Galvaniz Çelik Galvanized Steel	1.5	55	x 4	0.580
AE 64007		1.5	75	x 4	0.655
AE 64009		1.5	105	x 4	0.770
AE 64011		1.5	125	x 4	0.840
AE 64013		1.5	165	x 4	0.970
AE 64015		1.5	205	x 4	1.100
AE 64017		1.5	265	x 4	1.355
AE 64019		2	305	x 4	1.480
AE 64021		2	405	x 4	2.440
AE 64023		2	505	x 4	2.970
AE 64025		2	605	x 4	3.630



### Dış Büküm-Kapaklı Tipi / Duct Type Outside Elbows

Ref No	Malzeme Material	e mm	Boyutlar Dimensions (ABC-H) cm		Ağırlık Weight kg
AE 64105	Galvaniz Çelik Galvanized Steel	1	45	x 3	0.750
AE 64107		1	55	x 4.5	0.810
AE 64109		1	75	x 4.5	0.930
AE 64111		1	105	x 6	1.280
AE 64113		1.5	125	x 6	1.420
AE 64115		1.5	165	x 6	1.710



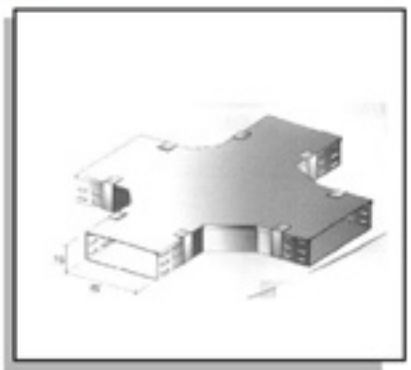
### Dörtlü Bağlantılar / Horizontal Crosses

Ref No	Malzeme Material	e mm	Boyutlar Dimensions (ABC-H) cm		Ağırlık Weight kg
AE 64305	Galvaniz Çelik Galvanized Steel	1.5	55	x 4	1.030
AE 64307		1.5	75	x 4	1.110
AE 64309		1.5	105	x 4	1.240
AE 64311		1.5	125	x 4	1.340
AE 64313		1.5	165	x 4	1.570
AE 64315		1.5	205	x 4	1.840
AE 64317		1.5	265	x 4	2.320
AE 64319		2	305	x 4	3.560
AE 64321		2	405	x 4	5.000
AE 64323		2	505	x 4	6.750
AE 64325		2	605	x 4	8.810



### Dörtlü Bağlantılar-Kapaklı Tip / Duct Type Horizontal Crosses

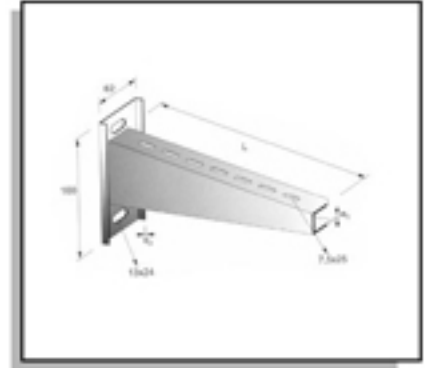
Ref No	Malzeme Material	e mm	Boyutlar Dimensions (ABC-H) cm		Ağırlık Weight kg
AE 64405	Galvaniz Çelik Galvanized Steel	1	45	x 3	0.480
AE 64407		1	55	x 4.5	0.510
AE 64409		1	75	x 4.5	0.580
AE 64411		1	105	x 6	1.560
AE 64413		1.5	125	x 6	1.810
AE 64415		1.5	165	x 6	2.130





### Duvar Konsollar / Wall Brackets

Ref No	Malzeme Material	e mm	Boyutlar Dimensions (ABC-H) cm		Ağırlık Weight kg
AE 64605	Galvaniz Çelik Galvanized Steel	1.5	60	x 12	0.185
AE 64607		1.5	100	x 12	0.210
AE 64609		1.5	120	x 12	0.225
AE 64611		1.5	160	x 12	0.275
AE 64613		1.5	200	x 12	0.340
AE 64615		1.5	260	x 12	0.490
AE 64617		2	300	x 17	0.910
AE 64619		2	400	x 17	1.080
AE 64621		2	500	x 17	1.250
AE 64623		2	600	x 17	1.450



### U Konsollar / U Brackets

Ref No	Malzeme Material	e mm	Boyutlar Dimensions (ABC-H) cm		Ağırlık Weight kg
AE 64705	Galvaniz Çelik Galvanized Steel	1.5	85	x 7	0.130
AE 64707		1.5	105	x 7	0.180
AE 64709		1.5	135	x 7	0.240
AE 64711		1.5	155	x 7	0.260
AE 64713		1.5	195	x 7	0.350
AE 64715		1.5	235	x 7	0.420
AE 64717		2	295	x 7	0.600
AE 64719		2	335	x 7	0.710
AE 64721		2	435	x 7	0.880
AE 64723		2	535	x 7	1.040
AE 64725		2	635	x 7	1.320
AE 64727		2	335	x 7	1.100
AE 64729		2	435	x 7	1.390
AE 64731		2	535	x 7	1.680
AE 64733		2	635	x 7	1.450



### U Destek / U Support

Ref No	Malzeme Material	e mm	Boyutlar Dimensions (ABC-H) cm		Ağırlık Weight kg
AE 64805	Galvaniz Çelik Galvanized Steel	2	120	x 3.4	0.565
AE 64807		2	500	x 3.6	1.255
AE 64809		2	2500	x 3.6	4.375

